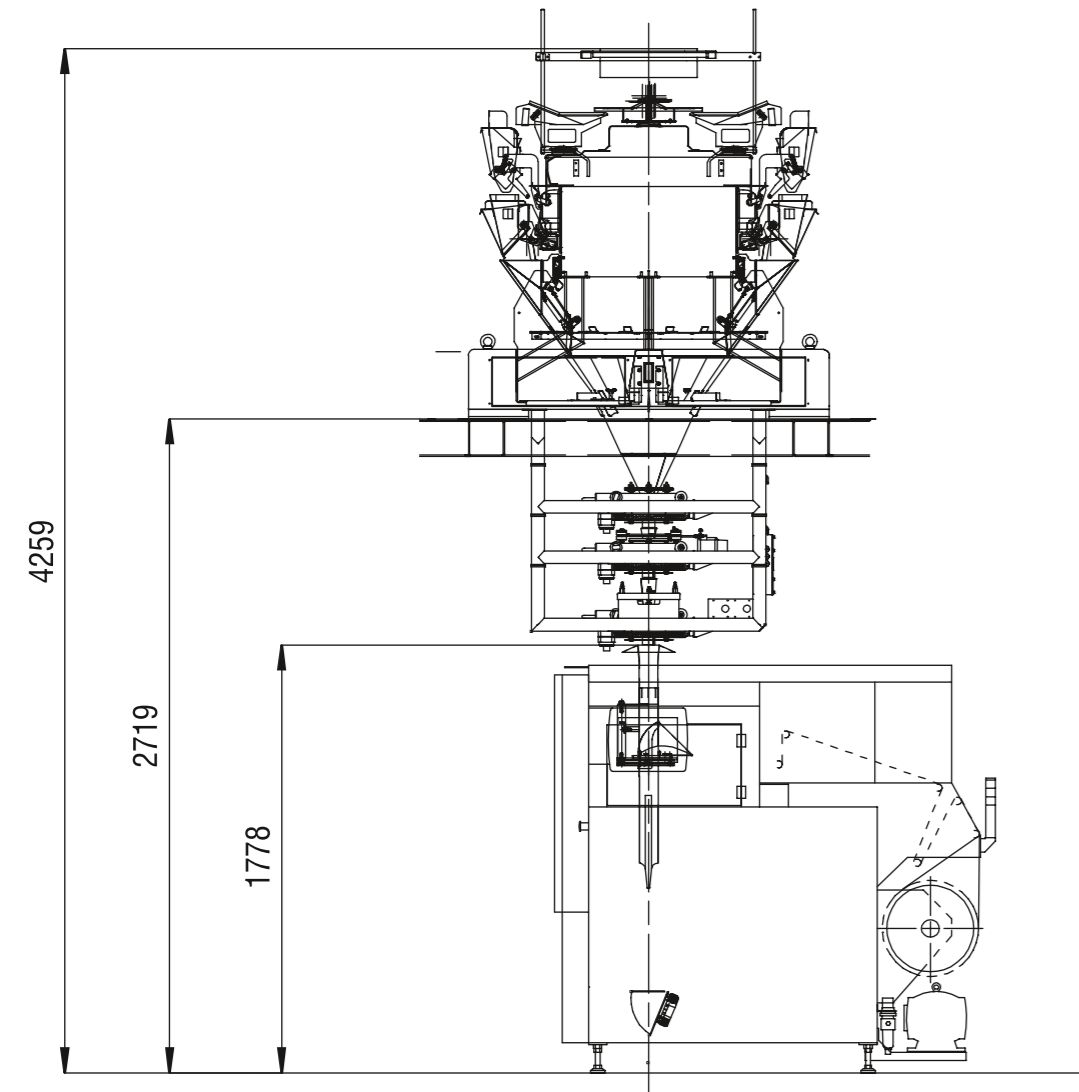


Choose the integrated approach that maximises your packing speed and yield

Combine with Ishida weighing for optimised results and single-source convenience

Ishida offers fully integrated, single-manufacturer multihead weigher and bagmaker combinations for snacks. Years of experience with both machines have enabled Ishida to optimise the physical and electronic interfaces to enhance speed and reduce weight spread. Equally important, one company takes full responsibility for the performance of the combination.



Stick snack product packaging solutions

Working with you every step of the way

Our extensive R&D investment is directed at meeting the challenges of the fast-changing food industry around the globe.

We aim to support our partners fully, from the very start of the buying process, and you will find many equipment brochures, visual animations and case studies available on our website. When you are ready to make contact, a well-resourced network of Ishida companies, distributors and agents, extending across Europe, the Middle East and Africa, can provide advice and organise demonstrations and trials.

Installation is rapid and efficient. For integrated packing lines, we use proven project management techniques and methodologies, tuned to your key objectives and specifications.

A dedicated pan-European service engineering team helps to maximise the performance, functionality and reliability of our installed base. In addition, spares facilities are strategically placed throughout the territory, offering 24-hour delivery in most cases.



helpline • spares • service • training



Ishida Europe Limited
Kettles Wood Drive
Woodgate Business Park
Birmingham
B32 3DB
United Kingdom
Tel: +44 (0)121 607 7700
Fax: +44 (0)121 607 7888
info@ishidaeurope.com

Ishida Czech Republic
Tel: +420 317 844 059
Fax: +420 317 844 052
info@ishidaeurope.cz

Ishida Romania
Tel: +40 (0)21 589 73 52
Fax: +40 (0)21 310 34 22
info@ishidaeurope.ro

Ishida France
Tel: +33 (0)1 48 63 83 83
Fax: +33 (0)1 48 63 24 29
info@ishidaeurope.fr

Ishida Russia and CIS
Tel: +7 499 272 05 36
Fax: +7 499 272 05 37
info@ishidaeurope.ru

Ishida Germany
Tel: +49 (0)791 945 160
Fax: +49 (0)791 945 1699
info@ishida.de

Ishida South Africa
Tel: +27 (0)11 976 2010
Fax: +27 (0)11 976 2012
info@ishida.co.za

Ishida Middle East
Tel: +971 (0)4 299 1933
Fax: +971 (0)4 299 1955
ishida@ishida.ae

Ishida Switzerland
Tel: +41 (0)41 799 7999
Fax: +41 (0)41 790 3927
info@ishida.ch

Ishida Netherlands
Tel: +31 (0)499 39 3675
Fax: +31 (0)499 39 1887
info@ishida.nl



Stick snack product packaging solutions

Ishida offers proven and successful solutions for faster, efficient and gentler sticks packaging using our latest advanced dedicated R-216 weigher and Astro-S-103 bagmaking systems.

Optimised weighing and packing solutions are available for saltsticks, pretzel sticks, flavoured bread sticks of different lengths and diameters to speeds over 80bpm whilst maintaining system performance levels of over 99% efficiency.

The challenging nature of sticks packaging applications requires specific design technologies to work together to ensure the product is delivered consistently and with minimal breakage into the required pack format. Whilst the fastest packing speeds are achieved on standard pillow format packs alternative gusset and block bottom pack designs are available.



Features

Triple iris design – this allows for the careful orientation and settling of sticks into a compact bundle to achieve the high speed and consistent system performance.

Product shaker – an oscillating mechanism has been positioned to encourage the gentle movement of the sticks, especially saltsticks, to ensure alignment of the product whilst maintaining the integrity of the salty exterior of the saltstick.

Contact parts – an optimised design allows for changeable contact parts that are specific to the stick profile and characteristics to ensure the sticks are correctly yet carefully positioned for delivery through the weigher into the iris system.

Integrated system – a fully integrated solution is provided with the dedicated weigher and bagmaker from Ishida.

Total solutions – recognising the importance of increasing market requirements for a total solution for sticks products packaging Ishida are able to offer full solutions, to include the stick in-feed arrangements to the weigher which is an important overall system performance requirement.

Sticks weigher features & benefits

R-Series represents one of the most important steps forward in multihead weighing since Ishida first introduced this important technology. A major research and development investment has resulted in machines which are considerably faster than other multihead weighers, yet also much more accurate.



The world's fastest multihead weighers

For every weighing, an R-Series weigher calculates 16 times as many possible combinations as a competitor multihead and calculates and checks the results 3 times. It does this in one fifth the time thanks to new calculation software and hardware. Improvements in digital filtering and in Ishida's AFV (anti-floor vibration) technology also contribute to the increase in speed.



Greater accuracy, higher yield

With more weight combinations to choose from, the R-Series delivers more accurate weighments, reducing giveaway by up to 0.5%. This means that significantly more packs can be produced from the same amount of product.



High production efficiency

Faster calculation enables R-Series to calculate several valid 'final' combinations rather than just one. So the weigher doesn't have to rely on a single result which might be outside the acceptable range owing to background vibration. This 'belt and braces' approach practically eliminates the missed cycles which occur on competitor machines.

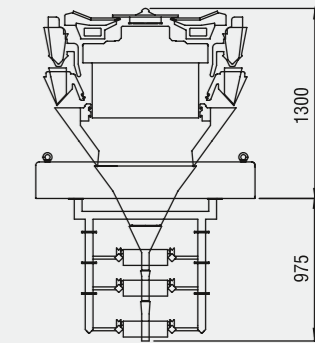


Smoother product flow

Stronger, optimally controlled vibration gives better, more predictable flow of product through the machine, thanks to Ishida's Pulse Width Modulation (PWM) technology.

CCW-R-216B-1S-30	
Weighing Capacity/Range (per single dump)	up to 500g
Weighing Accuracy (Max)*	$\bar{X} < 0.5g - 1.0g$
Maximum Volume for Weighing (per single dump)	3 litres
Weighing Speed (Max)**	240 WPM
Minimum Graduation	0.1g
Touch Screen Display (RCU)	12.1" TFT Colour LCD
Weigh Cell	Double-beam strain gauge load cell
Number of Presets	200
Material	Product surfaces are made of stainless steel or other sanitary materials
Machine Weight	750kg
Options	Various options are available - Please contact Ishida distributors
IP Rating	IP54
Air Consumption (Waterproof models)	Max 110 litres/min (ANR) 0.5 Mpa. Air hose - PT 3/8" (for air dryer connection) Note: Air hose compressor must be provided by the end user
Power Consumption	200 - 240V 0.6kW 50/60Hz

Design and specifications are subject to change without notice.
*Depends on target weight, weighing speed and conditions **Depends on product shape, product density, target weight etc



Astro bagmaker features & benefits

The Astro-S features Ishida's proprietary packaging machine technology. Our innovative pull-down belt system and servomotor controlled film feeder produce high quality bags at a stable packaging rate.



Operator-friendly, for minimum downtime

A colour touch-screen offers a simple and easy means of performing various operations and printing. Touch panel operations are icon-based for greater navigation and ease of use. Tabs in the easy-to-follow graphic interface provide quick access to multiple screens for simplified operator control.



Simple film changeover

The lightweight formers can be changed without using tools, and fewer film rollers insure fast film changes. A simple switch firmly locks the integrated air-chuck roll feed, securing the reel.



Stable film feeder

Servomotor control ensure stable feeding of film for reliable packaging at 90 bags/minute.



Flexible, reliable sealing

The servomotor incorporated in the end seal area ensures optimum seal pressure, seal time and seal temperature for each film. These parameters can be quickly set and programmed using the easy to operate control unit.

ASTRO-S-103	
Bag Format	Pillow, block bottom, gusset
Running speed	up to 90bpm
Bag Size Width	100 - 230mm*
Bag Size Length	100 - 600mm**
Film Size Max. roll width	490mm
Bore of film roll core	76.2mm
Max roll diameter	400mm
Max roll weight	40kg
Product	Snack foods such as potato chips, corn chips, tortilla chips, nuts, sticks and popcorn
Film Feeding Motion	Intermittent
Machine Size	1030(w) x 1700(h) x 1770mm(l)
Power Supply Power Voltage	3 phase AC380-415V 50/ 60hz
Allowable Voltage Fluctuation	±10%
Air Supply	0.5 - 1MPa (5.1 - 10.2kgf/cm ²) 60N/min.
Net Weight (circa)	1200kg
Operational Temperature	32-104°F (0-40°C) RH30-70% non-condensing
Options	Date printer, Metal detector, Product piker, narrow bags 65-100mm, gusset bags, block bottom, hole punch bags, corner creased block bottom bags, banner device (promo strip).
Sealing Jaw Motion	Intermittent single jaw

* Pillow bag widths only, gusset and block bottom bags ranges are limited based on side and front pack dimensions
** 300mm in one pull of the film, 360mm long back seal available as option.

ASTRO-S-103

