

Atlas Snack Food Bagmakers



Combine the fastest available bagmaking speeds with these productivity-boosting advances

- Highest quality seals owing to the industry's widest choice of sealing mechanisms and Ishida's special backseal unit
- Better film-feed control thanks to servo-motor controlled pull down system and unique strain-gauge load cell
- Neater, faster product insertion with Ishida weigher-bagmaker chute synergy and unique bag-former geometry

Increase operator productivity by making learning and operation easier and faster

- Touch panel RCU offering standardised operating screens, minimum keystroke operation, 'no mistake' product image registration and multi-language support
- Film splicing and film changeover now easier and faster than ever before
- Using latest USB interface technology for ease of data management

Pick the integrated approach that will maximise your packing speed and yield

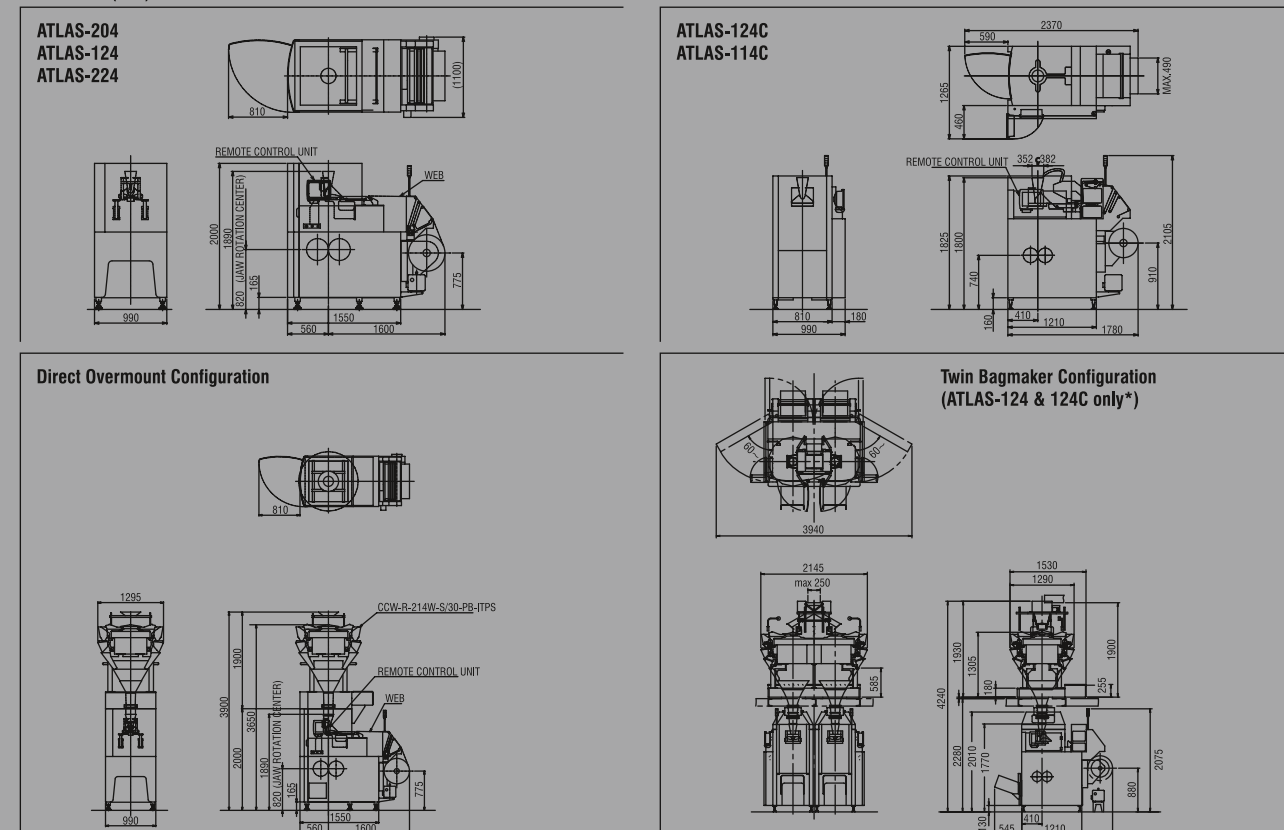
- Combine Atlas bagmaking with Ishida weighing for optimised results and single-source convenience
- Choose the weigher-bagmaker configuration that best meets your product and floorspace requirements
- Benefit from total integration, including seal testing and checkweighing

up to
300 bpm

| Specifications | | | | | | |
|-------------------------------|---|-----------------|-----------------|-----------------|-------------------|------------|
| Model | Atlas-204 | Atlas-224 | Atlas-124 | Atlas-124C | Atlas-114C | |
| Running speed* | up to 200bpm | up to 200bpm | up to 250bpm | up to 250bpm | up to 125bpm | |
| Bag Size | Width | 101.6 - 330mm | 101.6 - 330mm | 75 - 230mm | 75 - 230mm | |
| | Length | 127 - 711mm | 127 - 711mm | 75 - 533mm | 75 - 533mm | 75 - 533mm |
| Film Size | Max. roll width | 685.8mm | 685.8mm | 483mm | 483mm | 483mm |
| | Bore of film roll core | 76.2mm | 76.2mm | 76.2mm | 76.2mm | 76.2mm |
| Product | Snack foods such as potato chips, extruded snacks, corn chips, tortilla chips, popcorn, nuts and seeds | | | | | |
| Film Feeding Motion | Continuous/Intermittent | | Continuous | | | |
| Machine Width | 990mm | | | 990mm | | |
| Size | Height | 2000mm | | 1825mm | | |
| | Length | 2160mm | | 1780mm | | |
| Power Supply Power Voltage** | 3 phase AC200-208V 50/60hz 3 phase AC220V-480V (Built-in Transformers) | | | | | |
| Allowable Voltage Fluctuation | ±10% | | | | | |
| Air Supply | 0.5 - 1MPa (5.1 - 10.2kgf/cm ²) 60N/min. | | | | | |
| Net Weight | 1300kg | | | 1200kg | | |
| Operational Temperature | 32-104°F (0-40°C) RH30-70% non-condensing | | | | | |
| Options | Data printer, Air nitrogen switch and solenoid assembly for Air Jet, Splicing plate film knife kit, Product poker | | | | | |
| Sealing Jaw Motion | Twin jaw D-motion | Twin rotary jaw | Twin rotary jaw | Twin rotary jaw | Single rotary jaw | |

*Actual maximum running speed depends on the product, product volume, packaging material and in-feed conditions.
**Other power supply available upon consultation
Note: Specifications subject to change without notice

Dimensions (mm)



ISHIDA EUROPE LIMITED
Kettles Wood Drive
Woodgate Business Park
Birmingham
B32 3DB
United Kingdom
Tel: +44 (0)121 607 7700
Fax: +44 (0)121 607 7888
info@ishidaeurope.com

ISHIDA CZECH REPUBLIC
Tel: +420 317 844 059
Fax: +420 317 844 052
info@ishidaeurope.cz

ISHIDA ROMANIA
Tel: +40 (0)21 589 73 52
Fax: +40 (0)21 310 34 22
info@ishidaeurope.ro

ISHIDA FRANCE
Tel: +33 (0)1 48 63 83 83
Fax: +33 (0)1 48 63 24 29
info@ishidaeurope.fr

ISHIDA RUSSIA AND CIS
Tel: +7 499 272 05 36
Fax: +7 499 272 05 37
info@ishidaeurope.ru

ISHIDA GERMANY
Tel: +49 (0)791 945 160
Fax: +49 (0)791 945 1699
info@ishida.de

ISHIDA SOUTH AFRICA
Tel: +27 (0)11 976 2010
Fax: +27 (0)11 976 2012
info@ishida.co.za

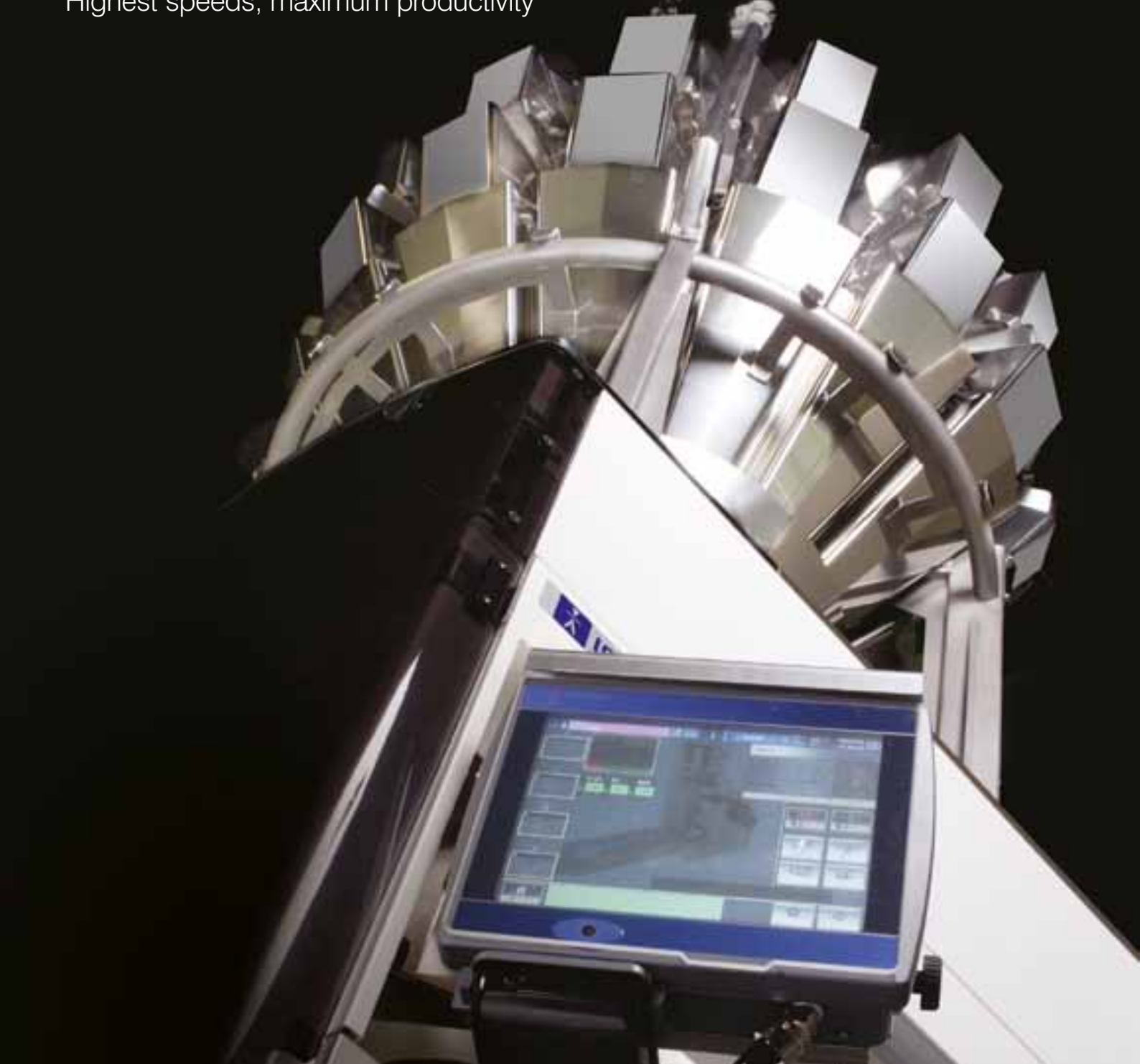
ISHIDA MIDDLE EAST
Tel: +971 (0)4 299 1933
Fax: +971 (0)4 299 1955
ishida@ishida.ae

ISHIDA SWITZERLAND
Tel: +41 (0)41 799 7999
Fax: +41 (0)41 790 3927
info@ishida.ch

ISHIDA NETHERLANDS
Tel: +31 (0)499 39 3675
Fax: +31 (0)499 39 1887
info@ishida.nl

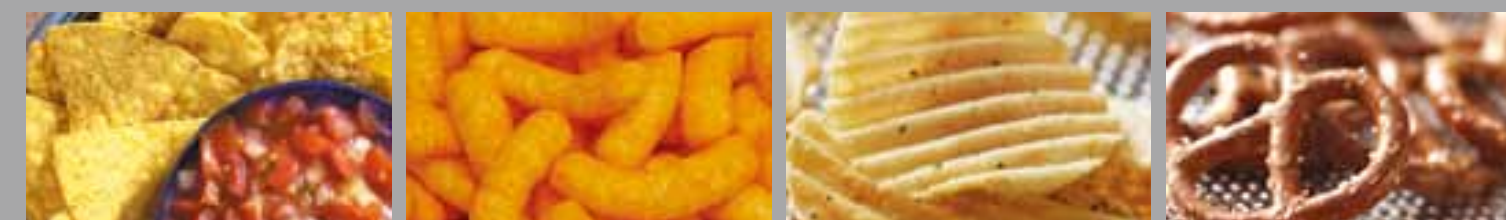
Atlas Snack Food Bagmakers

Highest speeds, maximum productivity



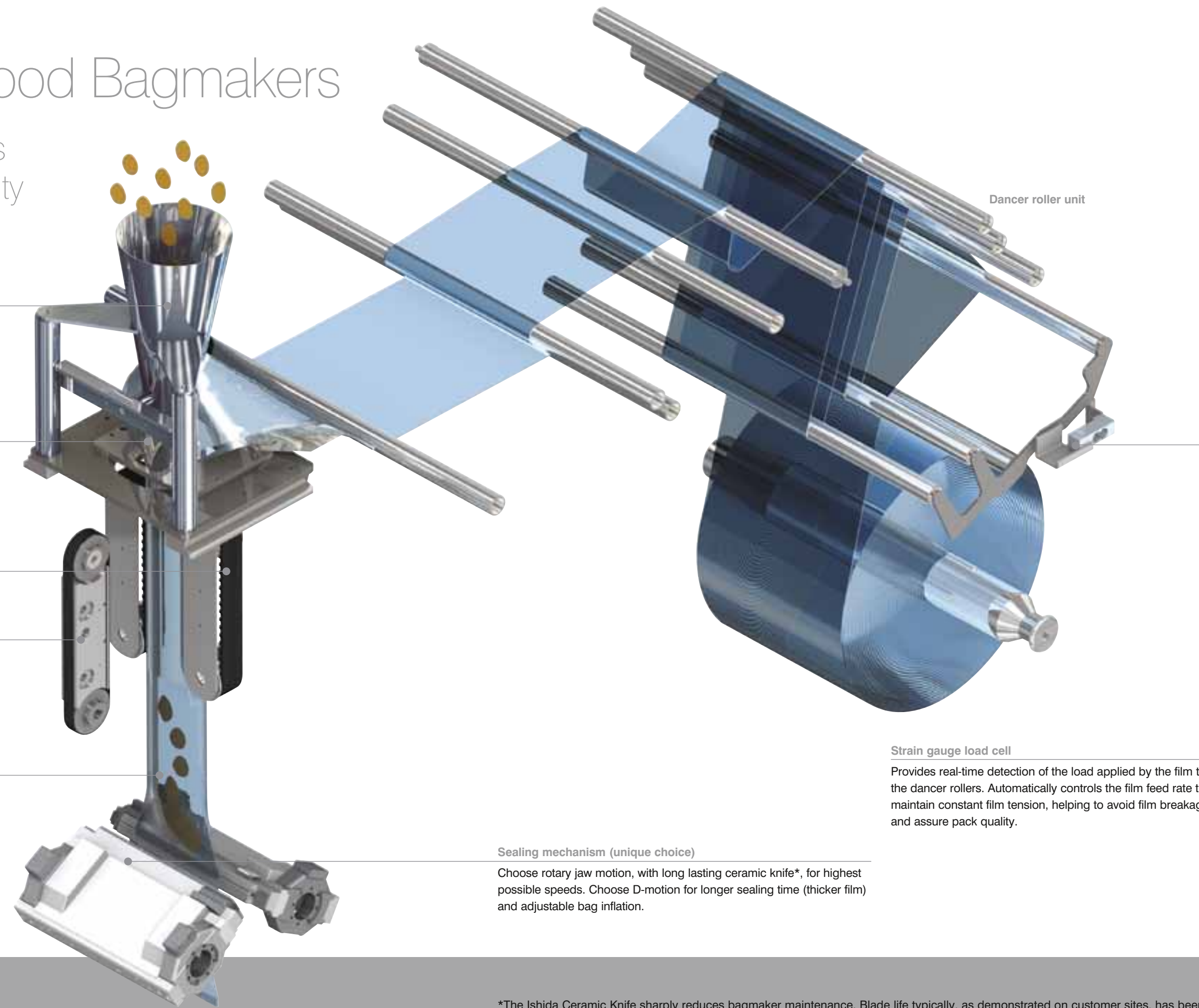
Ishida Europe: understanding and tackling the weighing and packing line challenges you face

- Unique engineering expertise, combined with practical industry knowledge in your sector
- Global applications experience, including snacks, meat, poultry, ready meals, fresh produce, dry and frozen foods, bakery, confectionery and pasta
- R&D resources and commitment to support both continuous improvement and major innovation
- Solutions include multihead weighers, distribution and topping systems, snack food bagmakers, tray sealers, X-ray inspection systems, checkweighers, weigh-price-labellers, seal testers, pick-and-place systems, complete lines, project management and consultancy



Atlas Snack Food Bagmakers

The advanced features behind Atlas productivity



Weigher-bagmaker chute synergy
Weigher discharge chute and bagmaker entry funnel are designed and made by a single manufacturer (Ishida) based on extensive experience. Product flow across the interface is optimised for speed and smoothness.

Bag-former geometry
Original shape plus N₂ gas flushing system prevent product from being blown upward, ensuring even product charging.

Servo motor-controlled vacuum pull-down belt
Enables precise film feeding, even at high speed.

Backseal unit
Rotating hot steel band, synchronised exactly with film speed, delivers the world's smoothest vertical seal, which is instantly cooled by an air blower. Complete integrity assured for both fin and lap seals.

Ishida stripping device
Clears product from the area where the sealing jaws will meet the film, ensuring an intact seal and dramatically reducing pack waste at high speeds.

Dancer roller unit

Strain gauge load cell
Provides real-time detection of the load applied by the film to the dancer rollers. Automatically controls the film feed rate to maintain constant film tension, helping to avoid film breakage and assure pack quality.

Sealing mechanism (unique choice)
Choose rotary jaw motion, with long lasting ceramic knife*, for highest possible speeds. Choose D-motion for longer sealing time (thicker film) and adjustable bag inflation.

Increase operator productivity with easier and faster learning and operation

- An interface that really communicates
- Touch-panel RCU with highly visual, icon-based screens
 - Standardised Ishida operating screens make learning simpler
 - Tab system eases navigation from one screen to another
 - Packs can be photographed and colour images stored to ensure correct settings/presets are chosen
 - Multi-language support to accommodate most operators



Touch-panel RCU

- Film splicing and changeovers made simpler
- A special plate captures and holds the film for splicing, saving time and giving more consistent results
 - During changeovers, the new film is automatically centred once the bag width is entered on the RCU
 - No need to input the new bag length: Atlas automatically calculates it, using the remark sensor



Film splicing

Simple, secure data management
Backup and interchange of data is easy and secure, using the latest USB technology.



Easy and secure data backup

Choose the integrated approach that maximises your packing speed and yield

Combine with Ishida weighing for optimised results and single-source convenience
Ishida offers fully integrated, single-manufacturer multihead weigher and bagmaker combinations for snacks. Years of experience with both machines have enabled Ishida to optimise the physical and electronic interfaces to enhance speed and reduce weighment spread. Equally important, one company takes full responsibility for the performance of the combination.



The revolutionary geometry of the new RV-218 multihead weigher helps to minimise the spread of each weighment that enters either bagmaker, while achieving speeds of up to 300 wpm.

Choose the weigher-bagmaker configuration that best meets your product and floorspace requirements

Atlas Snack Bagmakers can be deployed in two different configurations (see below). In a direct overmount setup, each bagmaker has a weigher mounted directly on top of it. In a twin-bagmaker configuration, one weigher serves two bagmakers, designed to sit together as a compact unit.

A new development is the Ishida RV-218WB, an oval multihead weigher designed specifically for this purpose, delivering very high packing speeds (see right).

Benefit from total integration, including seal testing and checkweighing

The benefits of single-manufacturer sourcing can be extended to provide complete integrated packing lines, including seal checkers and checkweighers. A single touchscreen makes it fast and easy to change settings and presets for a whole line. Metal detectors and printers can also be integrated.

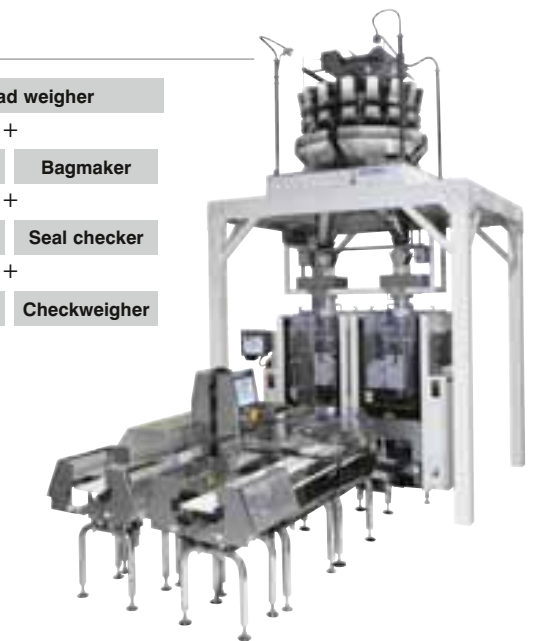
Direct-overmount ITPS

- Multihed weigher
- +
- Bagmaker
- +
- Seal checker
- +
- Checkweigher



Twin ITPS

- Multihed weigher
- +
- Bagmaker Bagmaker
- +
- Seal checker Seal checker
- +
- Checkweigher Checkweigher



*The Ishida Ceramic Knife sharply reduces bagmaker maintenance. Blade life typically, as demonstrated on customer sites, has been at least two years. This contrasts with conventional bag-cutting mechanisms, which need changing every 10 weeks.